

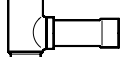
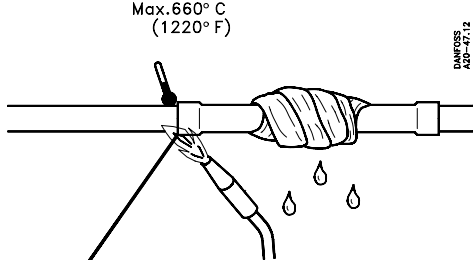
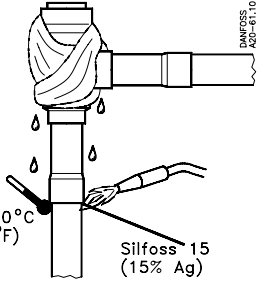
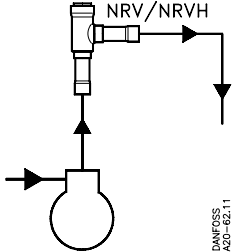
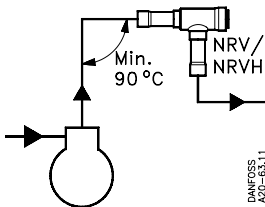
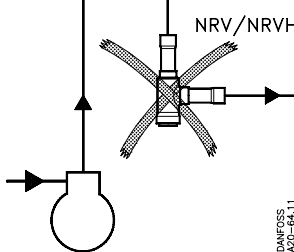
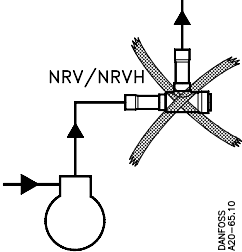


NRV, NRVH

020R9500

020R9500

<p>HFC, HCFC, CFC</p> <p>NRV 6 → 19</p>  <p>NRV 6s → 19s</p>  <p>NRVH 6s → 19s</p> <p>NRV 22s → 35s</p>  <p>NRVH 22s → 35s</p> <p>$t_{min} = -50\text{ °C} / -58\text{ °F}$ $t_{max} = 140\text{ °C} / 285\text{ °F}$ PB / MWP = 28 bar / 400 psig</p>	<p>Max. 660° C (1220° F)</p>  <p>DANFOSS AZD-47,12</p> <p>Silfoss 15 (15% Ag)</p>	 <p>DANFOSS AZD-61,10</p> <p>Max. 660° C (1220° F)</p> <p>Silfoss 15 (15% Ag)</p>	
 <p>NRV/NRVH</p> <p>DANFOSS AZD-62,11</p>	 <p>Min. 90 °C</p> <p>NRV/NRVH</p> <p>NRV/NRVH</p> <p>DANFOSS AZD-63,11</p>	 <p>NRV/NRVH</p> <p>DANFOSS AZD-64,11</p>	 <p>NRV/NRVH</p> <p>DANFOSS AZD-65,10</p>